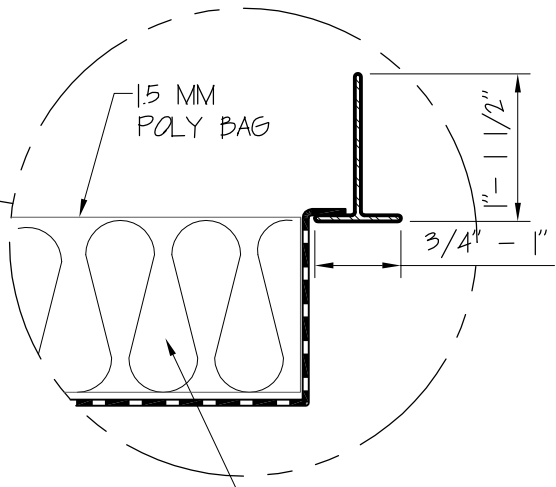
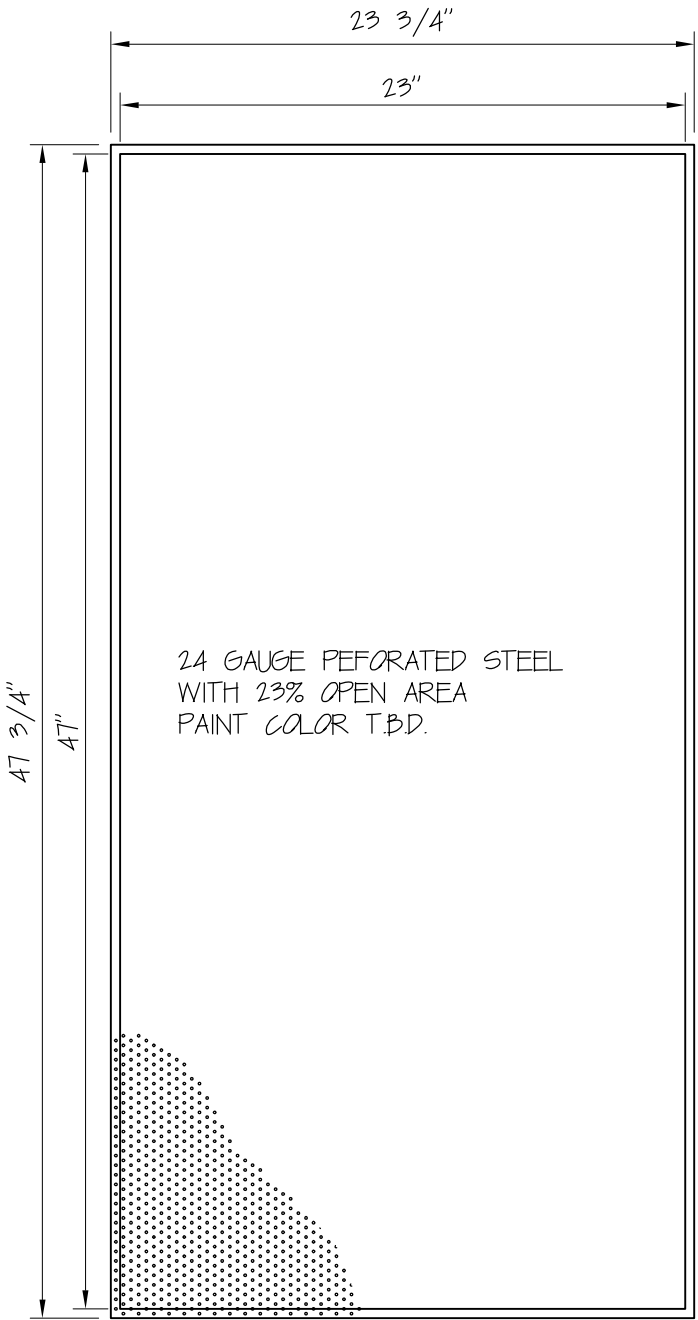


CROSS SECTION



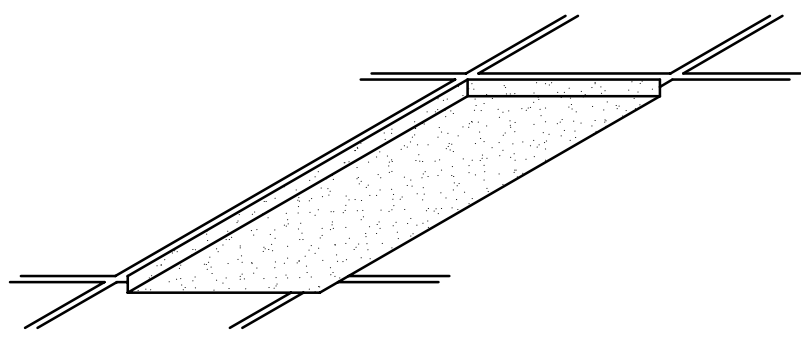
ACOUSTICAL FILL  
1 1/2 LBS. / CU. FT.



24 GAUGE PERFORATED STEEL  
WITH 23% OPEN AREA  
PAINT COLOR T.B.D.

ELEVATION

ACOUSTICAL LAY-IN PANEL (ALP)



ISOMETRIC VIEW  
NOT TO SCALE

NOTE:

- 1.) 33% TO 50% UPGRADE  
OF CEILING COVERAGE  
RECOMMENDED

PROPRIETARY

THIS DOCUMENT CONTAINS PROPRIETARY INFORMATION AND IS SUBMITTED SUBJECT TO THE EXPRESS CONDITION THAT THE INFORMATION CONTAINED HEREIN SHALL BE USED IN NO WAY TO THE DETRIMENT OF THE INTERESTS OF ECKEL INDUSTRIES, INC.

**ECKEL**  
NOISE CONTROL TECHNOLOGIES  
ECKEL INDUSTRIES INC. ACOUSTIC DIVISION  
155 Fawcett Street Cambridge, Massachusetts 02138 (617) 491-3221

ACOUSTICAL LAY-IN PANEL (ALP)  
23" x 47" FACE DIM (2' x 4' GRID)