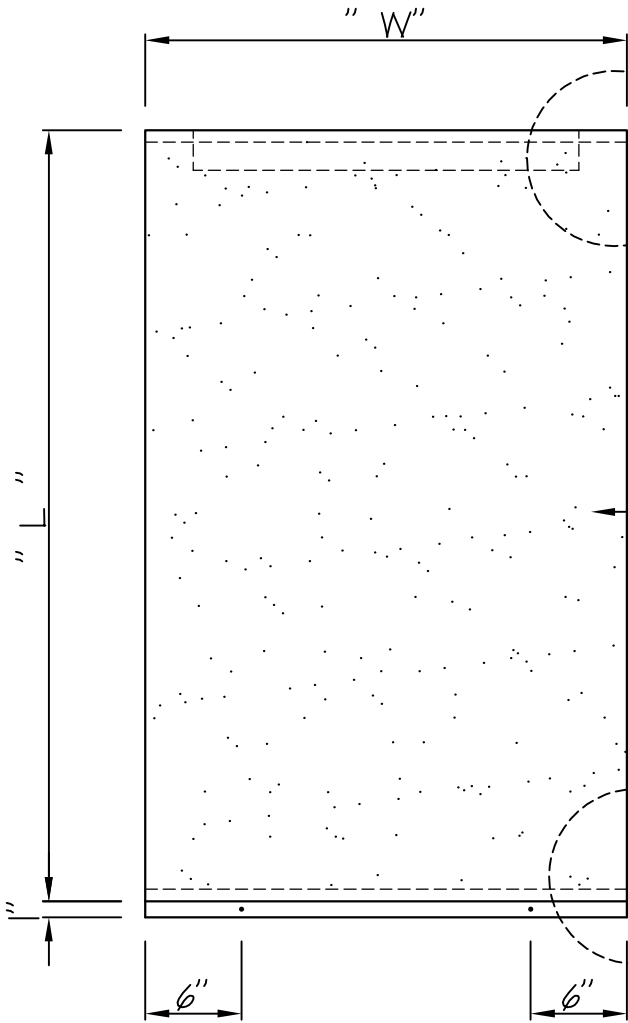
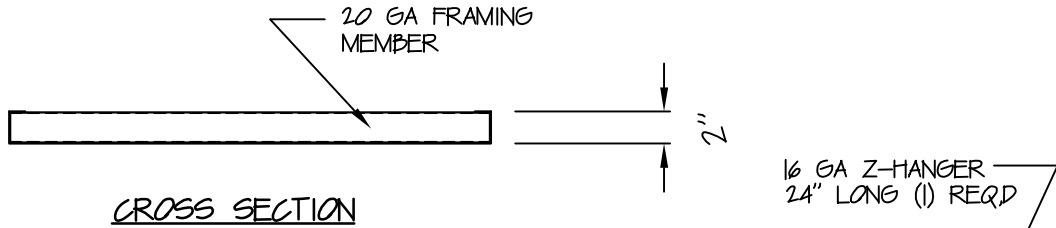
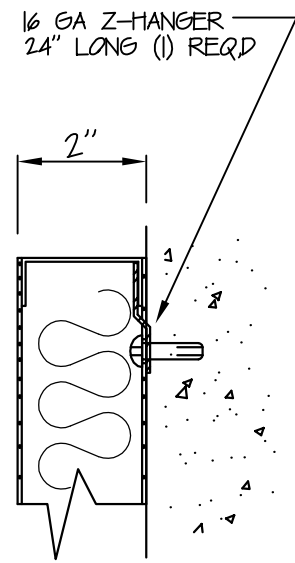


STANDARD SIZES:

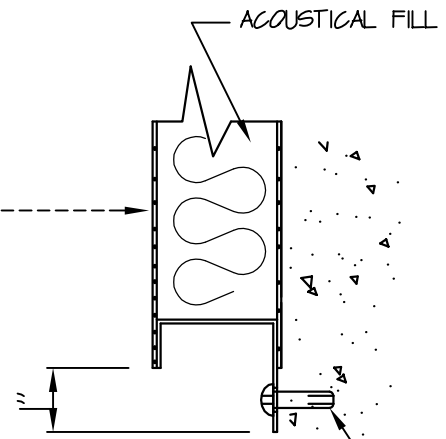
" W "	" L "
30"	120"
30"	96"
30"	72"
30"	60"
30"	48"



ELEVATION
 FLAT FUNCTIONAL PANEL
 FLUSH SURFACE MOUNT



22 OR 24 GAUGE PERFORATED STEEL
 (FINE PERFORATION .06)



ECKEL
 NOISE CONTROL TECHNOLOGIES
 ECKEL INDUSTRIES INC. ACOUSTIC DIVISION
 155 Fawcett Street Cambridge, Massachusetts 02138 (617) 491-3221

PROPRIETARY
 THIS DOCUMENT CONTAINS PROPRIETARY INFORMATION AND IS SUBMITTED SUBJECT TO THE EXPRESS CONDITION THAT THE INFORMATION CONTAINED HEREIN SHALL BE USED IN NO WAY TO THE DETRIMENT OF THE INTERESTS OF ECKEL INDUSTRIES, INC.

FLAT FUNCTIONAL PANELS
 CAPPED END SERIES (FLUSH MOUNT)